

DESCRIPTION

AMC MODEL SWN-218-2DR-STD OPTION 0518, BR50 IS A SINGLE POLE TWO THROW REFLECTIVE SWITCH MODULE WITH A 0.5 TO 18GHz FREQUENCY RANGE AND BALANCED RISE/FALL TIMES.

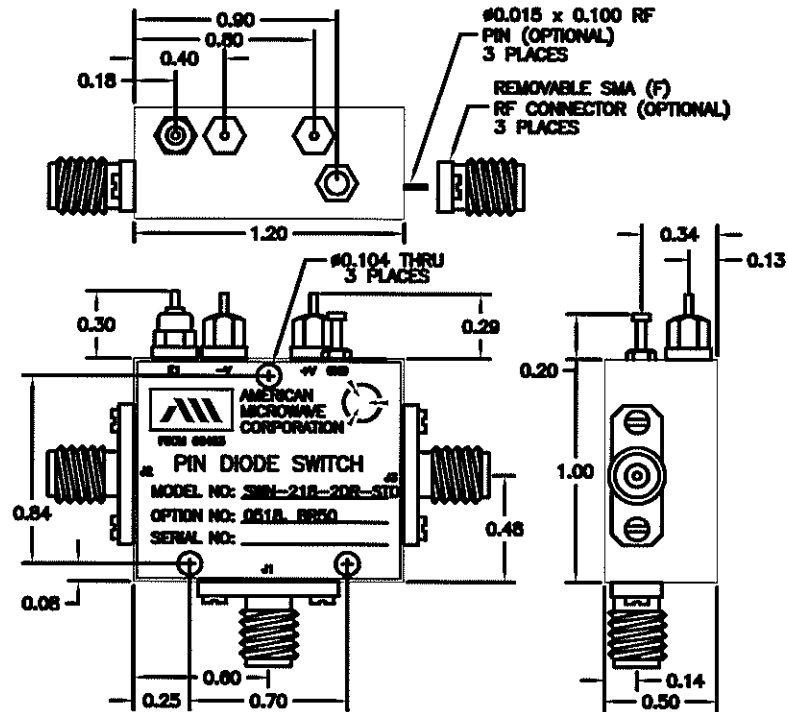
SPECIFICATIONS

- FREQUENCY RANGE:0.5 TO 18 GHz
- INSERTION LOSS:2.5 dB MAXIMUM
- ISOLATION:0.5 GHz TO 18 GHz: 60 dB MINIMUM
- VSWR:2.0:1
- RISE TIME:50 nSec MAXIMUM
- FALL TIME:50 nSec MAXIMUM
- POWER INPUT:(CW)+20 dBm
- SURVIVAL POWER:1 WATT CW, 10 WATTS PEAK 1 uSec
- CONTROL:TTL LOGIC "0" = J1-J2 ON
TTL LOGIC "1" = J1-J3 ON
- POWER SUPPLY:+5V @ 100 mA MAXIMUM
-5V @ 75 mA MAXIMUM
- CONNECTORS:
RF:SMA FEMALE
CONTROL:SOLDER PIN

OPTIONS:

- 05180.5 TO 18.0GHz FREQUENCY RANGE
- BR50BALANCED RISE/FALL TIME

REVISIONS				
ZONE	REV.	DESCRIPTION	DATE	APPROVED
-	-	ORIGINAL RELEASE	1/9/08	<i>[Signature]</i>



ENVIRONMENTAL RATINGS:

- TEMPERATURE:-55°C TO +85°C (OPERATING)
-85°C TO +125°C (STORAGE)
- HUMIDITY:MIL-STD-202F, METHOD 103B COND. B
- SHOCK:MIL-STD-202F, METHOD 213B COND. B
- VIBRATION:MIL-STD-202F, METHOD 204D COND. B
- ALTITUDE:MIL-STD-202F, METHOD 105C COND. B
- TEMPERATURE CYCLE:MIL-STD-202F, METHOD 107D COND. A

NOTE: SPECIFICATIONS WILL VARY OVER OPERATING TEMPERATURE
NOTE: THE ABOVE SPECIFICATIONS ARE SUBJECT TO CHANGE OR REVISION

AMERICAN MICROWAVE CORPORATION

7311-G GROVE ROAD
FREDERICK, MARYLAND 21704 USA
TEL: 301-662-4700 FAX: 301-662-4938
WEBSITE: www.americanmicrowavecorp.com
E-MAIL: sales@americanmicrowavecorp.com
ISO 9001:2000 CERTIFIED

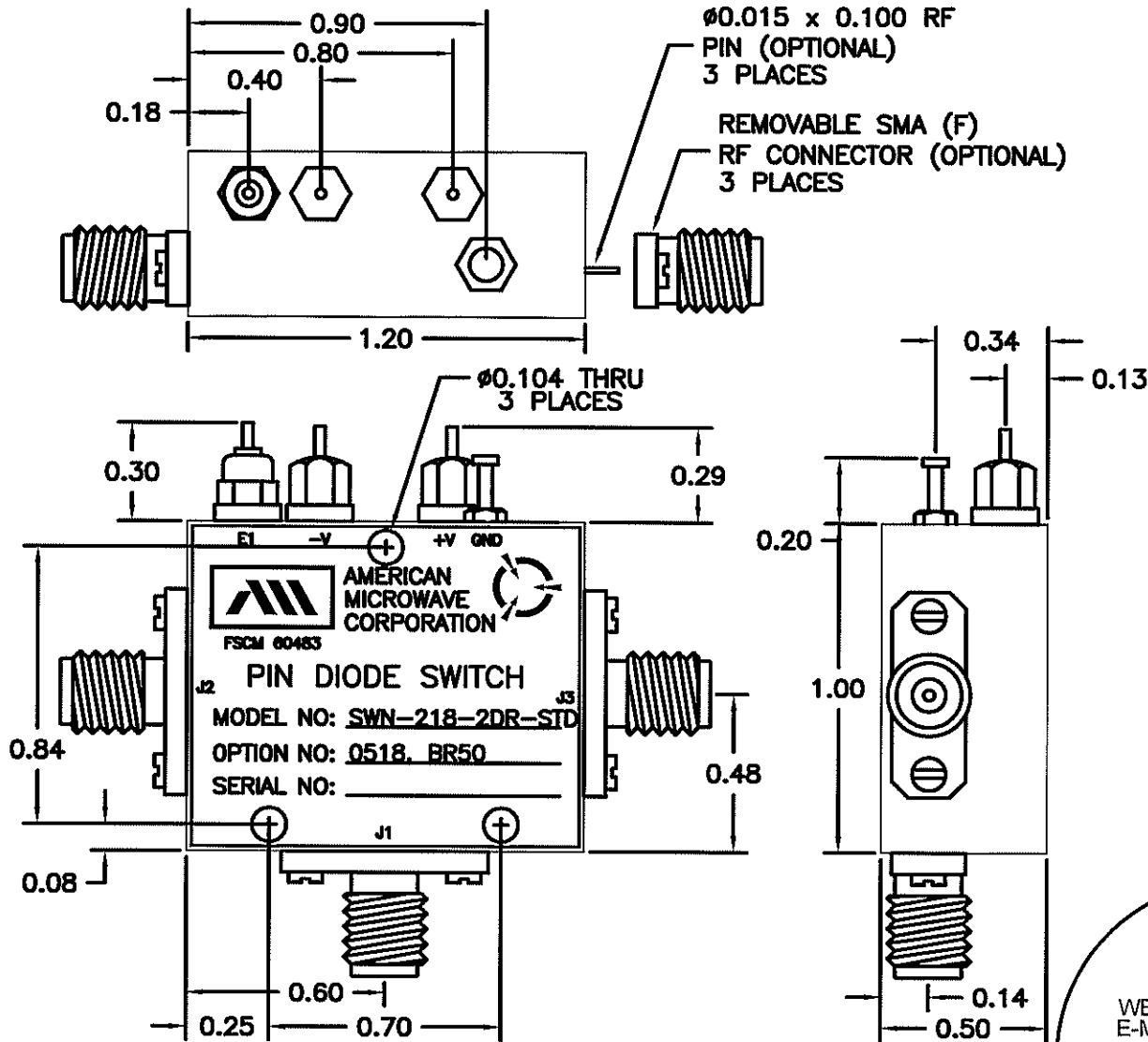


ALL DIMENSIONS ARE IN INCHES
TOLERANCES:
X.XX ±0.020
X.XXX ±0.010
WEIGHT 1.5 oz. TYPICAL

APPROVALS	DATE	TITLE		
DESIGN <i>[Signature]</i>	1/9/08	PRODUCT FEATURE SWN-218-2DR-STD OPTION 0518, BR50		
MODIFIED <i>[Signature]</i>	1/3/08	0.5 TO 18 GHz, SINGLE POLE TWO THROW SWITCH		
ISSUED		SIZE FROM NO. A 60483	DRW NO. 100-4427-129	REV. -
		SCALE N:S	SHEET 1 OF 4	

DESCRIPTION

AMC MODEL SWN-218-2DR-STD OPTION 0518, BR50 IS A SINGLE POLE TWO THROW REFLECTIVE SWITCH MODULE WITH A 0.5 TO 18GHz FREQUENCY RANGE AND BALANCED RISE/FALL TIMES.



MECHANICAL OUTLINE

AMERICAN MICROWAVE CORPORATION

7311-G GROVE ROAD
 FREDERICK, MARYLAND 21704 USA
 TEL: 301-662-4700 FAX: 301-662-4938
 WEBSITE: www.americanmicrowavecorp.com
 E-MAIL: sales@americanmicrowavecorp.com
 ISO 9001:2000 CERTIFIED



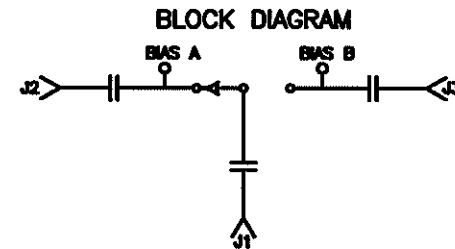
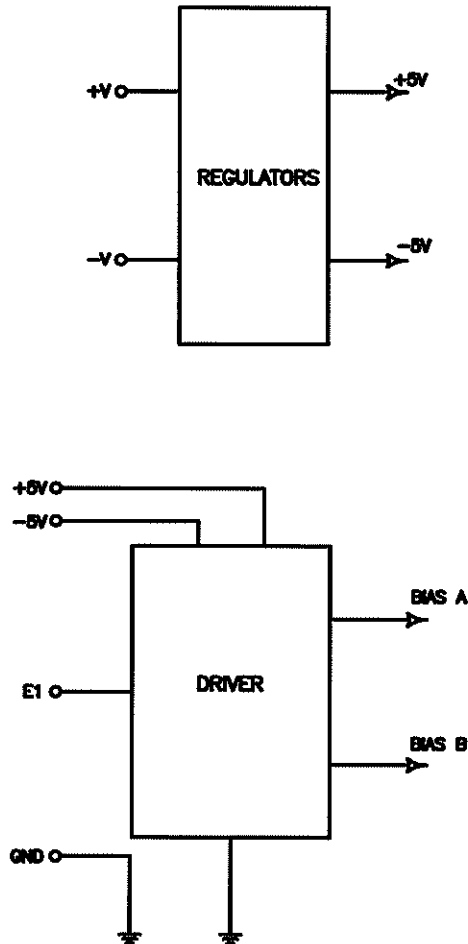
ALL DIMENSIONS ARE IN INCHES
 TOLERANCES:
 XXX ±0.020
 XXXX ±0.010

APPROVALS		DATE	TITLE		
DESIGN	SCMS	1/9/08	MECHANICAL OUTLINE		
INSPECTED	R/L	1/20/08	SWN-218-2DR-STD		
ASSEMBLED			OPTION 0518, BR50		
			0.5 TO 18 GHz, SINGLE POLE TWO THROW SWITCH		
			REV. FROM DEL.	QWP NO.	REV.
			A	60483	100-4427-129
			SCALE N:S		SHEET 2 OF 4

DESCRIPTION

AMC MODEL SWN-218-2DR-STD OPTION 0518, BR50 IS A SINGLE POLE TWO THROW REFLECTIVE SWITCH MODULE WITH A 0.5 TO 18GHz FREQUENCY RANGE AND BALANCED RISE/FALL TIMES.

FUNCTIONAL BLOCK DIAGRAM



AMERICAN MICROWAVE CORPORATION

7311-G GROVE ROAD
 FREDERICK, MARYLAND 21704 USA
 TEL: 301-662-4700 FAX: 301-662-4938
 WEBSITE: www.americanmicrowavecorp.com
 E-MAIL: sales@americanmicrowavecorp.com
 ISO 9001:2000 CERTIFIED



APPROVALS		DATE	TITLE	
DESIGN	<i>SCALP</i>	<i>1/2/08</i>	FUNCTIONAL BLOCK DIAGRAM	
REVISION	<i>1/2</i>	<i>1/3/08</i>	SWN-218-2DR-STD	
GROUND			OPTION 0518, BR50	
			0.5 TO 18 GHz, SINGLE POLE TWO THROW SWITCH	
	SIZE	FORM NO.	DRG NO.	REV.
	A	60483	100-4427-129	-
	SCALE	N:S	SHEET	3 OF 4